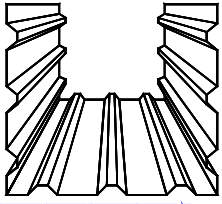


Box 1690, Fort Macleod, Alberta T0L-0Z0
 Fax (403) 553-3896 Ph. (403) 553-3309

COMPLETE LINE OF STEEL ROOFING AND SIDING

Farm & Industrial Sliding Door Hardware

Description	Part Number														
One Piece Fast Track System - Wht	<table border="0"> <tr> <td data-bbox="1052 659 1136 688">Length</td> <td></td> </tr> <tr> <td>8'</td> <td>M10214000880</td> </tr> <tr> <td>10'</td> <td>M10214001080</td> </tr> <tr> <td>12'</td> <td>M10214001280</td> </tr> <tr> <td>14'</td> <td>M10214001480</td> </tr> <tr> <td>16'</td> <td>M10214001680</td> </tr> <tr> <td>20'</td> <td>M10214002080</td> </tr> </table>	Length		8'	M10214000880	10'	M10214001080	12'	M10214001280	14'	M10214001480	16'	M10214001680	20'	M10214002080
Length															
8'	M10214000880														
10'	M10214001080														
12'	M10214001280														
14'	M10214001480														
16'	M10214001680														
20'	M10214002080														
1-1/2" Vertical Side Rail - Wht Aluminum	<table border="0"> <tr> <td data-bbox="1052 997 1136 1026">Length</td> <td></td> </tr> <tr> <td>8'</td> <td>M22000800</td> </tr> <tr> <td>10'</td> <td>M22001000</td> </tr> <tr> <td>12'</td> <td>M22001200</td> </tr> <tr> <td>14'</td> <td>M22001400</td> </tr> </table>	Length		8'	M22000800	10'	M22001000	12'	M22001200	14'	M22001400				
Length															
8'	M22000800														
10'	M22001000														
12'	M22001200														
14'	M22001400														
	For 1-1/2" Intermediate Girts														
1-1/2" Vertical H-Rail - Wht Aluminum	<table border="0"> <tr> <td data-bbox="1052 1335 1136 1365">Length</td> <td></td> </tr> <tr> <td>10'</td> <td>M22161000</td> </tr> <tr> <td>12'</td> <td>M22161200</td> </tr> <tr> <td>14'</td> <td>M22161400</td> </tr> </table>	Length		10'	M22161000	12'	M22161200	14'	M22161400						
Length															
10'	M22161000														
12'	M22161200														
14'	M22161400														
	For 1-1/2" Intermediate Girts Double Couple for Split Doors														
1-1/2" Bottom Rail - Wht Aluminum	<table border="0"> <tr> <td data-bbox="1052 1675 1136 1705">Length</td> <td></td> </tr> <tr> <td>8'</td> <td>M22440800</td> </tr> <tr> <td>10'</td> <td>M22441000</td> </tr> <tr> <td>12'</td> <td>M22441200</td> </tr> </table>	Length		8'	M22440800	10'	M22441000	12'	M22441200						
Length															
8'	M22440800														
10'	M22441000														
12'	M22441200														
	For 1-1/2" Intermediate Girts														

FORMA**STEEL**

Box 1690, Fort Macleod, Alberta T0L-0Z0
 Fax (403) 553-3896

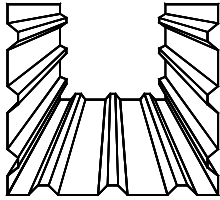
Ph. (403) 553-3309

COMPLETE LINE OF STEEL ROOFING AND SIDING

Farm & Industrial Sliding Door Hardware

Description	Part Number	
3-1/2" Vertical Side Rail - Wht Aluminum	Length	
	14' M33911400	
	16' M33911600	
	18' M33911800	
	For 3-1/2" Intermediate Girts 20' M3312000	
3-1/2" H-Rail - Wht Aluminum	Length	
	14' M33961400	
	16' M33961600	
	18' M33961800	
	For 3-1/2" Intermediate Girts Double Couple for Split Doors 20' M33962000	
3-1/2" Bottom Rail - Wht Aluminum	Length	
	8' M33940800	
	10' M33941000	
	12' M33941200	
	14' M33941400	
	16' M33941600	
	For 3-1/2" Intermediate Girts 18' M33941800 20' M33942000	
Steel Box Girts	1-1/2" X 3-1/12" 20ga Galvanized Steel Horizontals	Length
	8' MTBG8	
	10' MTBG10	
	12' MTBG12	
	14' MTBG14	
	16' MTBG16	
	18' MTBG18	
20' MTBG20		

FORMA



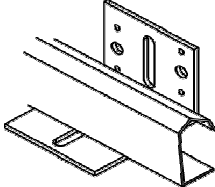
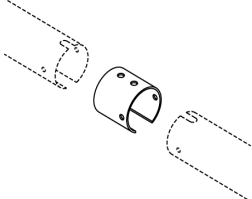
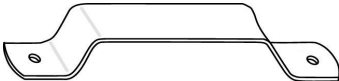
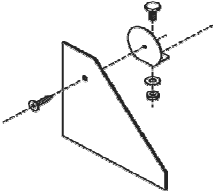
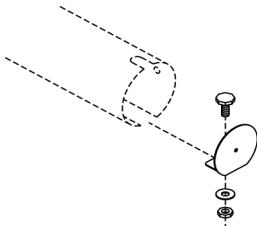
STEEL

Box 1690, Fort Macleod, Alberta T0L-0Z0
Fax (403) 553-3896

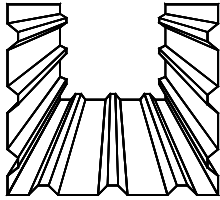
Ph. (403) 553-3309

COMPLETE LINE OF STEEL ROOFING AND SIDING

Farm & Industrial Sliding Door Hardware

Description	Part Number								
Bottom Stay Guide Kit-Galv	Use the length closest to 60% of the door panel width								
	<table border="0"><thead><tr><th data-bbox="1053 665 1136 695">Length</th><th data-bbox="1232 705 1354 735">Part Number</th></tr></thead><tbody><tr><td data-bbox="1081 705 1109 735">6'</td><td data-bbox="1232 705 1354 735">MTBSG6</td></tr><tr><td data-bbox="1081 747 1109 777">8'</td><td data-bbox="1232 747 1354 777">MTBSG8</td></tr><tr><td data-bbox="1081 789 1109 819">10'</td><td data-bbox="1232 789 1354 819">MTBSG10</td></tr></tbody></table>	Length	Part Number	6'	MTBSG6	8'	MTBSG8	10'	MTBSG10
Length	Part Number								
6'	MTBSG6								
8'	MTBSG8								
10'	MTBSG10								
Splice Collar - Galv	M102010100								
									
Jumbo Door Pull - Wht	M102082980								
									
Fast Track End Cap / Trim - Wht	M102140100								
									
Round End Cap - Galv	M102010219								
									

FORMA



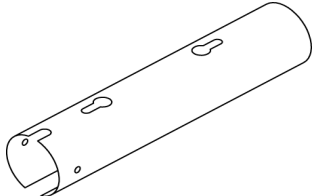
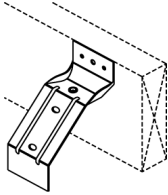
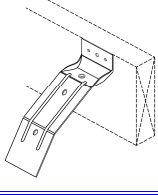
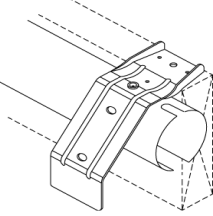
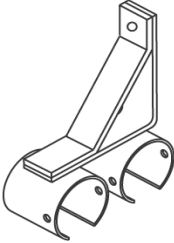
STEEL

Box 1690, Fort Macleod, Alberta T0L-0Z0
Fax (403) 553-3896

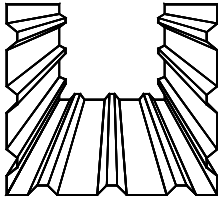
Ph. (403) 553-3309

COMPLETE LINE OF STEEL ROOFING AND SIDING

Farm & Industrial Sliding Door Hardware

Description	Part Number
Versa Track - Galv	Length 8' M102010012 12' M102010008
	
Track Bracket - Face Mount - Galv	M102010103
	
Track Bracket - Face Mount - Galv	M102010102
- For 3-1/2" frame doors	
	
Track Bracket - Top Mount - Galv	M102010105
	
Double Run Track Bracket - Galv	M102011300
	

FORMA



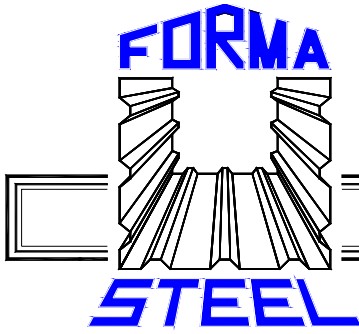
STEEL

Box 1690, Fort Macleod, Alberta T0L-0Z0
Fax (403) 553-3896 Ph. (403) 553-3309

COMPLETE LINE OF STEEL ROOFING AND SIDING

Farm & Industrial Sliding Door Hardware

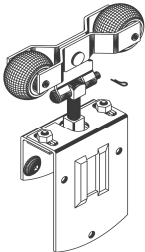

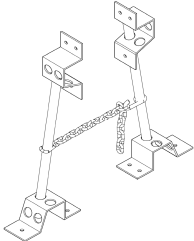
Description	Part Number
9-1/2" Bolt Trolley - Pair	M100250309
A technical drawing of a bolt trolley hardware. It shows a metal bracket with a curved top and a vertical stem. Two bolts are shown separately below the main component.	
HD Adjustable Door Stop - Wht	M100660200
A technical drawing of an adjustable door stop. It is a metal bracket with a curved end and a hole for a screw.	
Center Door Guide & Stop - Galv	M100850000
A technical drawing of a center door guide and stop. It consists of a metal plate with a raised lip and several holes for screws.	
Universal Jam Latch - Galv	M101210100
A technical drawing of a universal jam latch. It shows a metal bracket with a long, angled arm and a hole for a screw.	
Center Latch - Galv	M101280100
A technical drawing of a center latch. It shows a metal bracket with a long, angled arm and a hole for a screw.	



Box 1690, Fort Macleod, Alberta T0L-0Z0
Fax (403) 553-3896 Ph. (403) 553-3309

COMPLETE LINE OF STEEL ROOFING AND SIDING

Farm & Industrial Sliding Door Hardware

Description	Part Number
Wood Frame Door Trolley - Pair	M100290001
	
Adjustable Stay Roll	M100970000
	
Center Chain Snugger - Galv	M101270101
	
Stall Latch - Galv	M101260200
