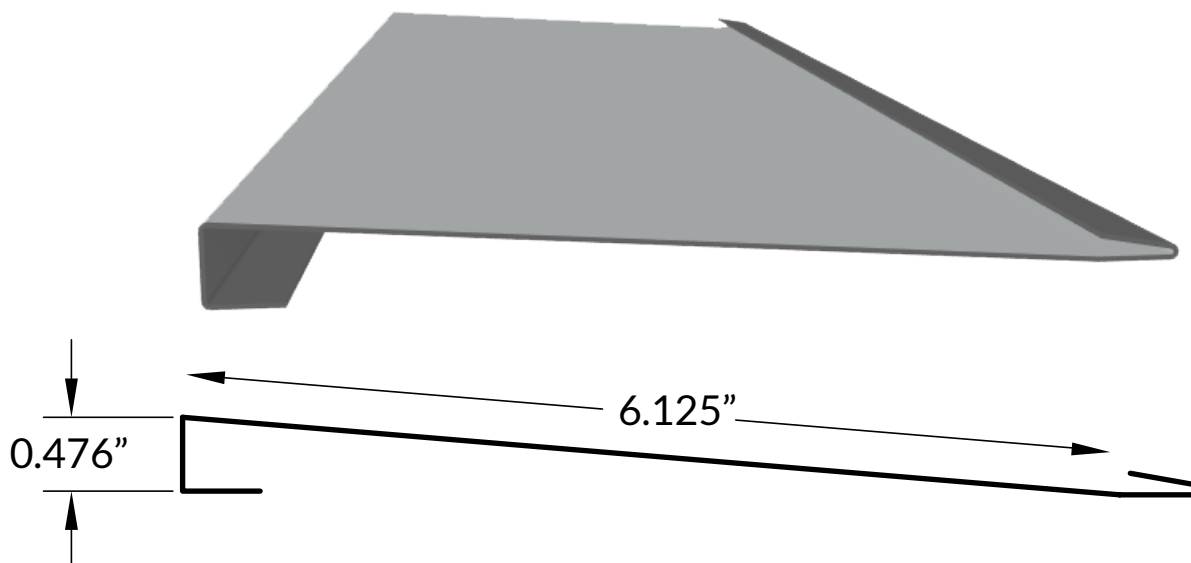




# ShipLap

## Hidden Fastener Steel Cladding Panel

Shiplap is another upgrade to a traditionally wood-cladding style from Forma Steel. Our steel ShipLap panel is a slanted plank panel, usually installed horizontally, and can be used for both internal and external applications. Easy installation with a clip system, and no exposed fasteners makes this a simple yet stylish cladding option for residential and commercial applications. The panel is available in a 6" coverage, with a depth at the widest part just under 0.5", keeping it flush with most other popular cladding materials. Shiplap pairs well with other Forma Steel cladding options, including 7/8" Corrugated, Forma Plank, and Board & Batten.





# ShipLap

## Specifications

Wall Coverage: 6.125"

Fasteners: Hidden

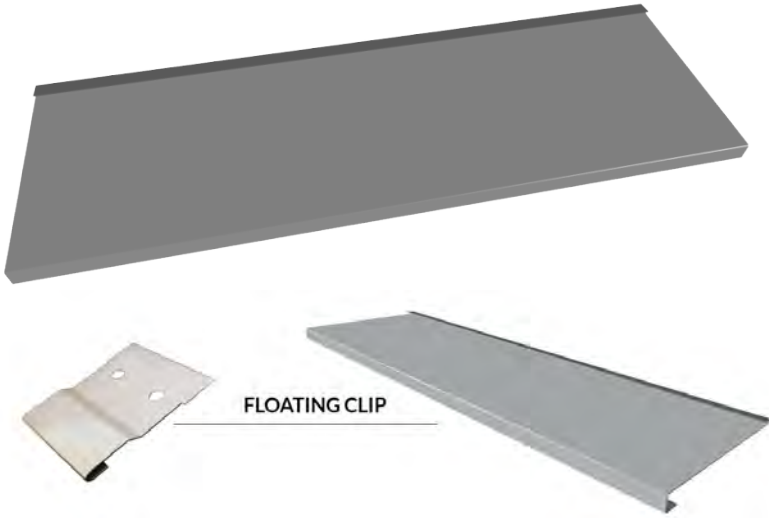
Available in Lengths: 62" up to maximum of 322"

Minimum Length: 62"

Cut Charge on Lengths from 24" to <62"

Available in 24 Gauge Standard & Specialty Colours

Installed on a floating clip system, ideal for thermal expansion and contraction



## 24 Gauge Standard Colours



## 24 Gauge Specialty Series

