

STORAGE REQUIREMENTS

MACROLUX® crates or sheets should be stored in warehouse areas not exposed to direct heat or light. Sheets may be stacked on a flat, even, supported surface.

INSTALLATION GUIDELINES

Installation of roof applications, fastening is best through the crest of the material (Figures 1 & 2). Side and end walls, should be fastened in the valley of the sheet (Figure 3). Ridge and gutter connections, require valley fastening as well (Figure 4).

Fasteners should be secured without excessive tension, which may deform the sheet. MACROLUX® is firmly fixed when fastened at every second corrugation at the ridge and gutter and every third corrugation in the mid spans. It is recommended to use neoprene backed washers with MACROLUX® polycarbonate panels.

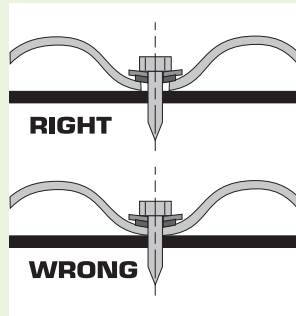
Recommended purlin spacing is 36" at the ridge and gutter and 48" at the mid spans (Figure 5). Weighing just 1/8 the weight of glass, MACROLUX® does not require the extensive structural support that a heavier roof, glass wall or skylight needs.

Stiff fixing by means of adhesive or putty is to be avoided. If using sealants, contact your Resolite® distributor for recommended sealants.

EASY TO FABRICATE

MACROLUX® will not crack or split when cut or drilled. MACROLUX® can be cut with shears, a razor knife or a circular saw containing a fine toothed blade. Securely hold the sheet in place while cutting to avoid vibrations, which can cause surface streaks.

Allow for proper expansion in all drilled holes. A diameter of 5/64" larger than fastener is recommended.



IMPACT RESISTANCE

Able to withstand extreme abuse, the impact strength of the MACROLUX® is stronger than fiberglass, glass and acrylic.

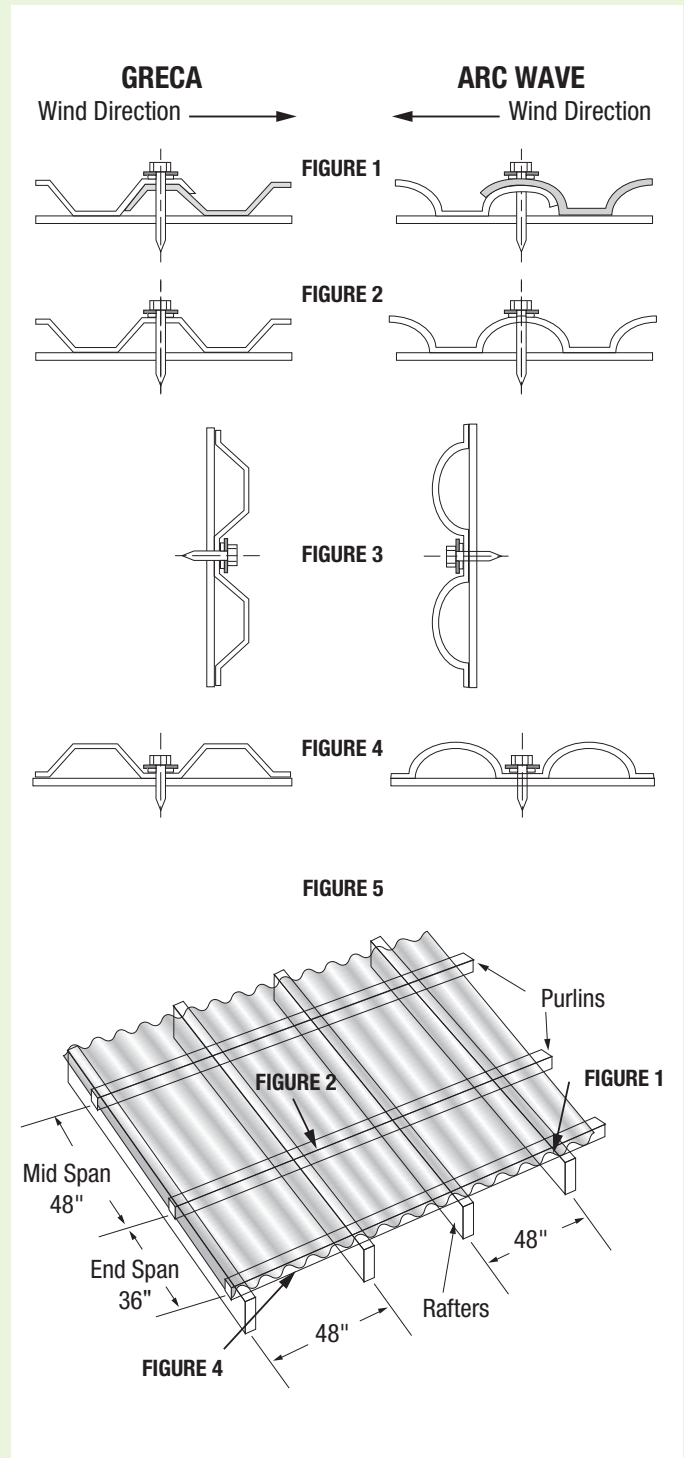
CLEANING AND MAINTENANCE

MACROLUX® should be protected from abrasion by the installer. After installation, panels should be washed with mild soap or detergent and lukewarm water using only a clean sponge or soft cloth, then rinsed with clean water.

Fresh paint, grease and smeared glazing compounds may be removed before drying by rubbing lightly with a good grade of naphtha or isopropyl alcohol followed by a final wash with mild soap or detergent with a final rinse.

BENDING RADII

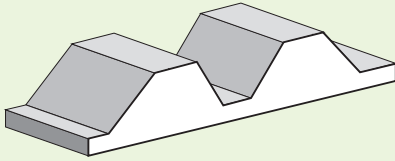
MACROLUX® panels can be easily cold formed to many bending radii and can be fabricated on site to precise dimensions. It is important to avoid over tensing of the sheet, therefore, a minimum bending radius is 13 feet.



These instructions provide a general guide for installing fasteners, however, your application may require alternative fastening patterns. Consult your own individual specifications for your project, or consult with an engineer before beginning installation.

HORIZONTAL CLOSURE STRIPS

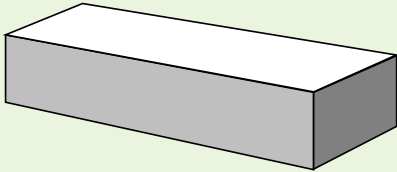
GRECA



STANDARD CORRUGATIONS

CORRUGATION	PITCH	DEPTH	LENGTH
Greca	3"	.71"	39"

VERTICAL CLOSURE STRIPS

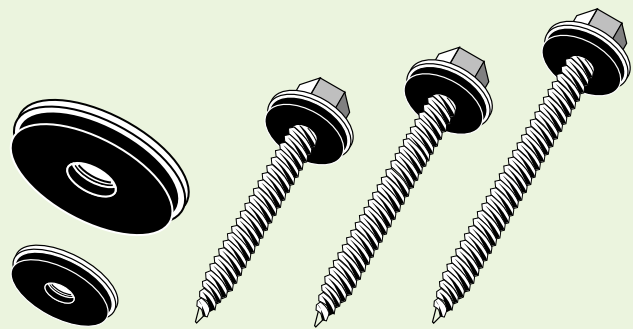


DESCRIPTION	WIDTH	DEPTH	LENGTH
Vertical	1"	1"	40"

SCREWS

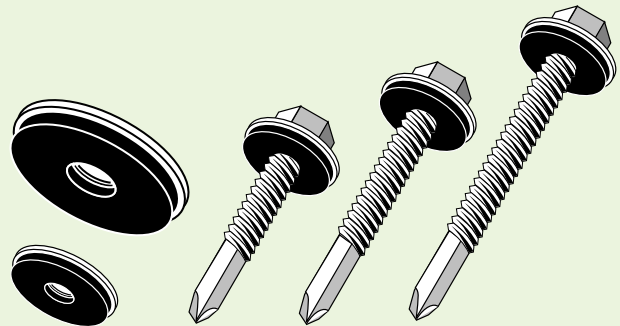
WOODMATE SCREW

#10 for fastening MACROLUX® to hardwood. Screws available in either 1", 1 1/2", or 2" lengths. Neoprene washers are available in 1" or 1/2" diameter.



SELF/DRILLING SELF/TAPPING SCREW

#12 for fastening MACROLUX® to aluminum and steel. Screws available in either 1", 1 1/2" or 2" lengths. Neoprene washers are available in 1" or 1/2" diameter.



These instructions provide a general guide for installing fasteners, however, your application may require alternative fastening patterns. Consult your own individual specifications for your project, or consult with an engineer before beginning installation.

For complete information regarding thermal expansion or required supporting structure for your specific application, contact Resolite®.